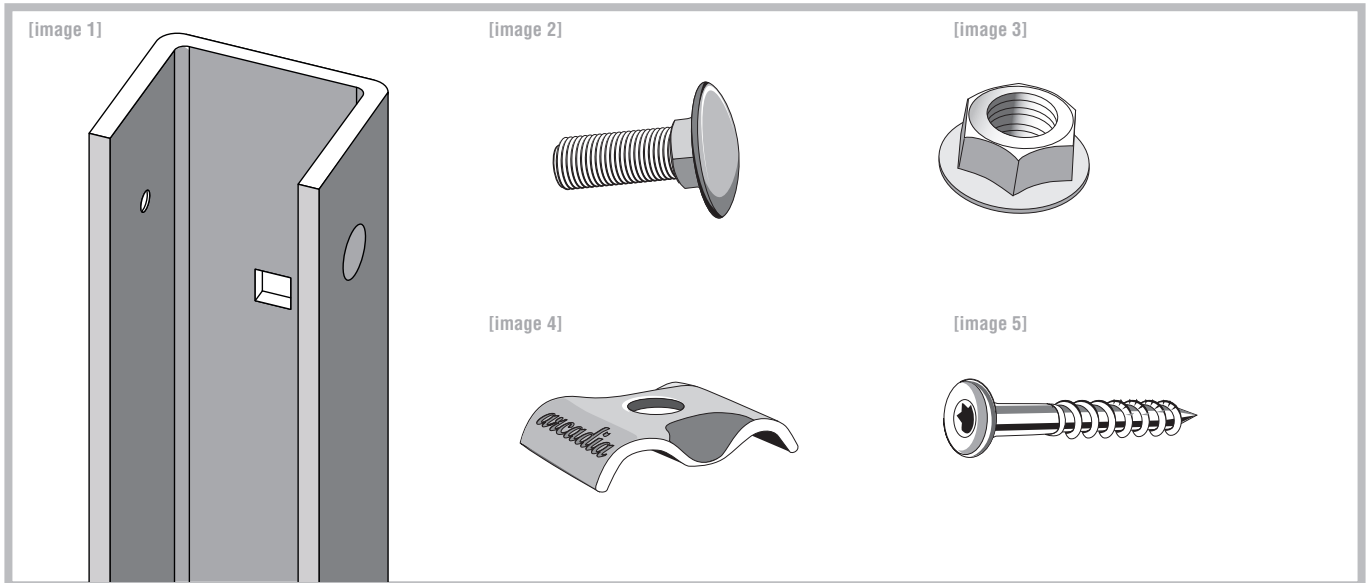


Assembly Instructions

U-RAILS FOR PERGONE® 23 CM / 16 CM

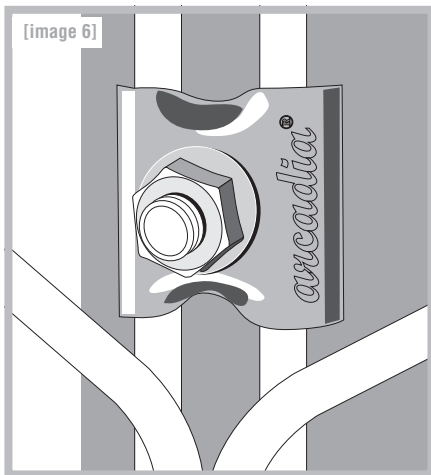
arcadia®



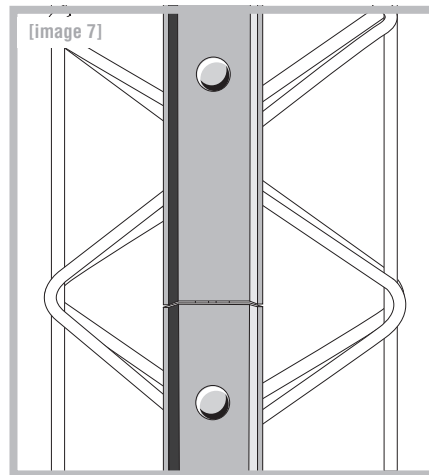
The assembly instructions are for the attention of the qualified skilled worker possessing the required level knowledge to carry out safe and professional construction. In case one of these qualifications is not held, please get in contact with a specialist assembly company.

One element consists of: U-rails with the corresponding bolt connection M8 [image 2 and 3] overlays [image 4] and clamp plate screws [image 5]. Please make sure that the delivery contents are complete before you begin with assembly.

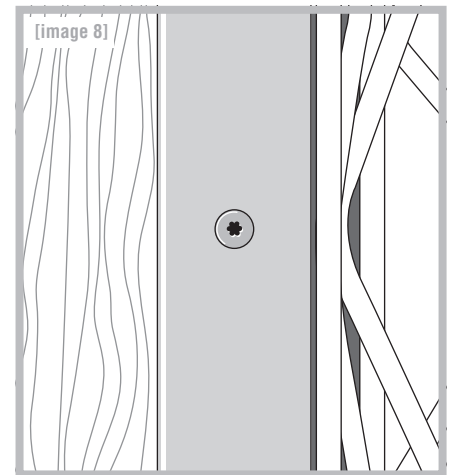
Pictures with Pergone® 23 cm for illustration only. Assembling with Pergone® 16 cm in same manner.



Fasten the U-rails above each crossing point of the column (every 20 cm) on the intended rectangular punchings by using a roundhead screw, locking nut and universal fixing clips.



When the U-rails collide, the distance of 20 cm needs to be maintained.



Now, place the element (for example wood) between the U-rails and affix it by using the enclosed clamp plate screws [image 5].

Notice: Written and verbal recommendations (technological application) which are given on the basis of experience and to the best of our knowledge and correspond to the current level of knowledge in science and practical application are not binding and do not represent the basis for any contractual relationship or any further commitments. Under no circumstances is the purchaser of our product released from their obligation to examine the product on their own authority with respect to its suitability and the intended purpose of use.

No guarantee is given for misprints and errors.
Subject to changes!

State: 04/2018

arcadia®

Asangstraße 16
D-94436 Simbach

fon +49 9954 70017-70
fax +49 9954 70017-88

mail arcadia@3ks.de
web www.3ks.de/arcadia

3ks®
profile gmbh